



Coimisiún na Scrúduithe Stáit
State Examinations Commission

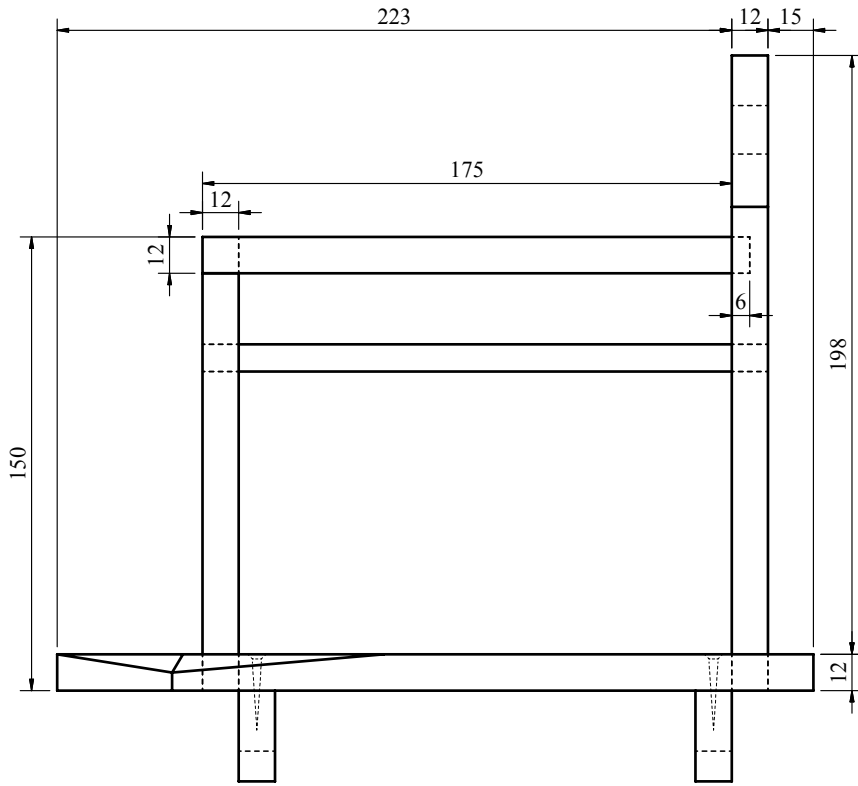
Scrúdú Ardteistiméireachta 2006
Leaving Certificate Examination 2006

Staidéar Foirgníochta
Adhmadóireacht -Triail Phraiticiúil

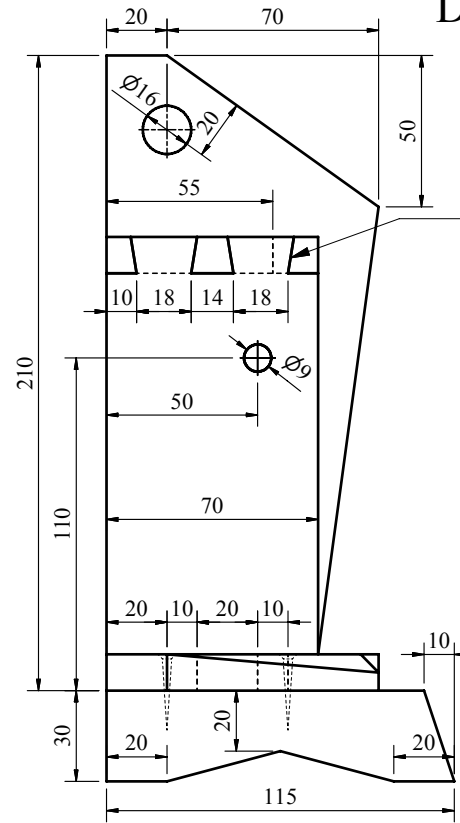
Construction Studies
Woodwork - Practical Test

(150 marc/marks)

Display Stand/Seastán Taispeántais

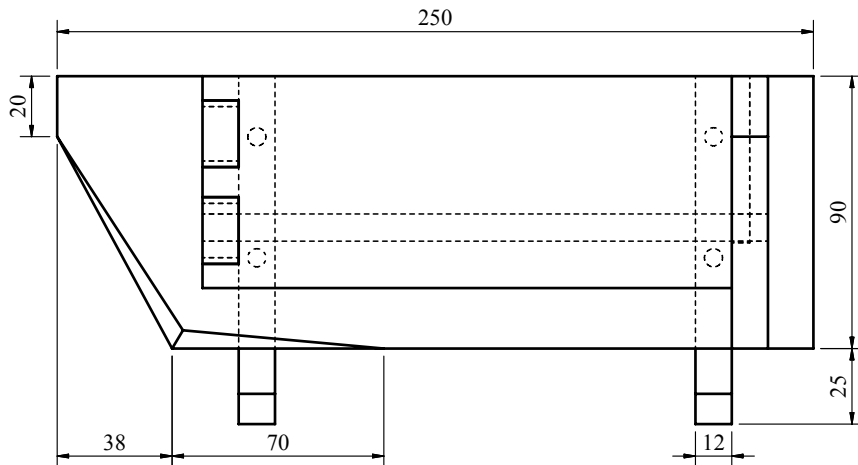
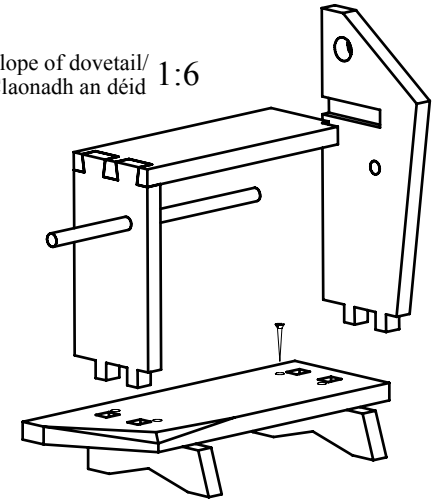


Elevation/Aghaidhchló



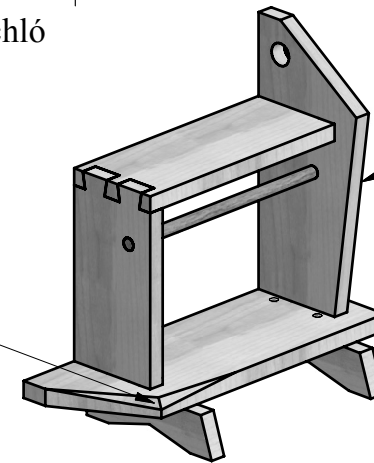
End View/Taobhchló

Note: Slope of dovetail/
Nóta: Claonadh an déid 1:6



Plan/Bonnchló

Chamfers 6mm x 6mm
at the corner
Seaimféir 6mm x 6mm
ag an gcúinne



Shaping of edge of this
side is left to candidate
Fágfar cruth imeall an
taoibh seo faoin iarrthóir

Note: Hand up this examination paper to the **Superintendent** at the end of the examination

Nóta: Tabhair ar ais an scrúdpháipéar seo don **Fheitheoir** ag deireadh an scrúdaithe

Hand up this examination paper to the
Superintendent at the end of the examination

Tabhair ar ais an scrúdpháipéar seo don
Fheitheior ag deireadh an scrúdaithe